



4184 E. Conant st.  
 Long Beach, CA 90808  
 Tel. 800-500-3519  
 Fax. 310-900-1066  
[www.turboairinc.com](http://www.turboairinc.com)

Project :	
Model # :	
Item # :	Qty :
Available W/H :	
Approval :	

**Heavy Duty Slicer - Manual** *Heavy Duty Premium Slicers*

**Model : GS-12M**



**≡ FEATURES & BENEFITS ≡**

- **1/2 HP knife motor**  
 Powerful 1/2 HP knife motor assures peak performance when slicing the toughest products.
- **Powerful gear driven knife motor**  
 German Knife's heavy-duty gear drive system provides years of maintenance free reliability without down time. No belts to slip or break.
- **Half-permanently lubricated worm gears**  
 Worm gears are made of Nytratron that is self-lubricated plastic made in Germany for high-speed equipment.
- **Stainless steel receiving plate**
- **Stainless steel for food zone**  
 Stainless steel food contact zone provides easy to clean surfaces and won't chip or peel.
- **Oil lubrication system on top and bottom slide shaft**  
 Oil lubrication system on top and bottom slide shaft provides smooth sliding for the chute compared with competing brands.
- **Top mount knife sharpener**
- **Ergonomic style chute handle**  
 Comfortable and stable ergonomic style grip on the chute handle provides easy glide manual operation.
- **Knife blade**  
 Knife made in Germany holds the cutting edge longer requires less sharpenings, corrosion resistant and provides precise cuts.
- **Heavy stainless steel end weight**  
 Heavy end weight lets you slice tiny pieces to the end and eliminates waste.
- **Operator side end weight rod**  
 By placing the weight rod on the operator side of the chute, the product is held tighter for slicing.
- **Safe knife cleaning**  
 German Knife heavy duty slicers are equipped with a permanently attached knife ring guard and interlock knife cover.
- **Slice thickness adjustment**  
 Precise thickness adjustment lets you slice from tissue thin to 1" thick.

Model	Knife Motor HP	Chute Motor HP	Crated Weight (lbs.)	L x D x H (inches)
<b>GS-12M</b>	<b>1/2</b>	<b>-</b>	<b>153</b>	<b>25<sup>5</sup>/<sub>8</sub> x 23<sup>3</sup>/<sub>8</sub> x 23<sup>5</sup>/<sub>8</sub></b>

# Heavy Duty Slicer - Automatic

Heavy Duty  
Premium Slicers

## Model : GS-12M

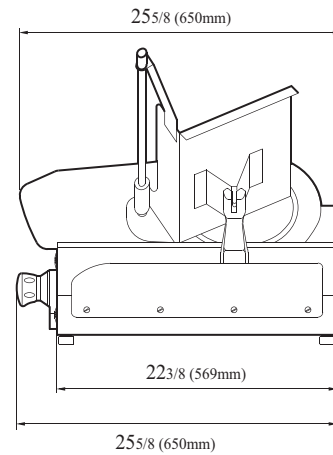
ELECTRICAL DATA	
Knife Motor	1/2HP • 1ph • AC115V • 60Hz
Chute Motor	-
Speed	-
DIMENSIONAL DATA	
Diameter of Knife	12
Slices Thickness	Tissue thin ~ 1" thick
Foot Print (in.)	17 <sup>3</sup> / <sub>4</sub> x 22 <sup>3</sup> / <sub>8</sub>
Ext. Length Overall (in.)	25 <sup>5</sup> / <sub>8</sub> (650mm)
Ext. Depth Overall (in.)	23 <sup>3</sup> / <sub>8</sub> (594mm)
Ext. Height Overall (in.)	23 <sup>5</sup> / <sub>8</sub> (599mm)
Net Weight (lbs.)	130
Gross Weight (lbs.)	153
Box Dimensions (L x D x H) (in.)	29 <sup>1</sup> / <sub>2</sub> x 28 <sup>1</sup> / <sub>4</sub> x 27 <sup>1</sup> / <sub>2</sub>

Design and specifications subject to change without notice.  
Actual shipping weight may differ due to extra packing materials for product protection.

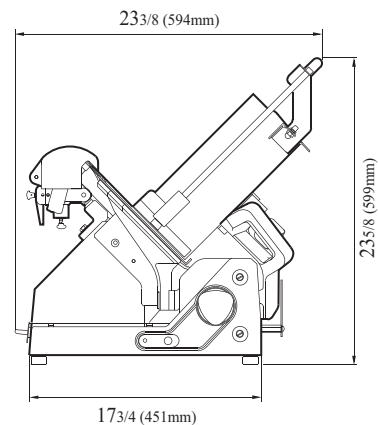
- **WARRANTY : 2 Year Parts and Labor Warranty**
- **Vegetable Hopper Available**

## PLAN VIEW

(unit : inch)



FRONT VIEW



SIDE VIEW

Ver.201601



- Turbo Air : 800-627-0032 ■ GK : 800-500-3519
- Warranty : 800-381-7770 ■ AC : 888-900-1002